

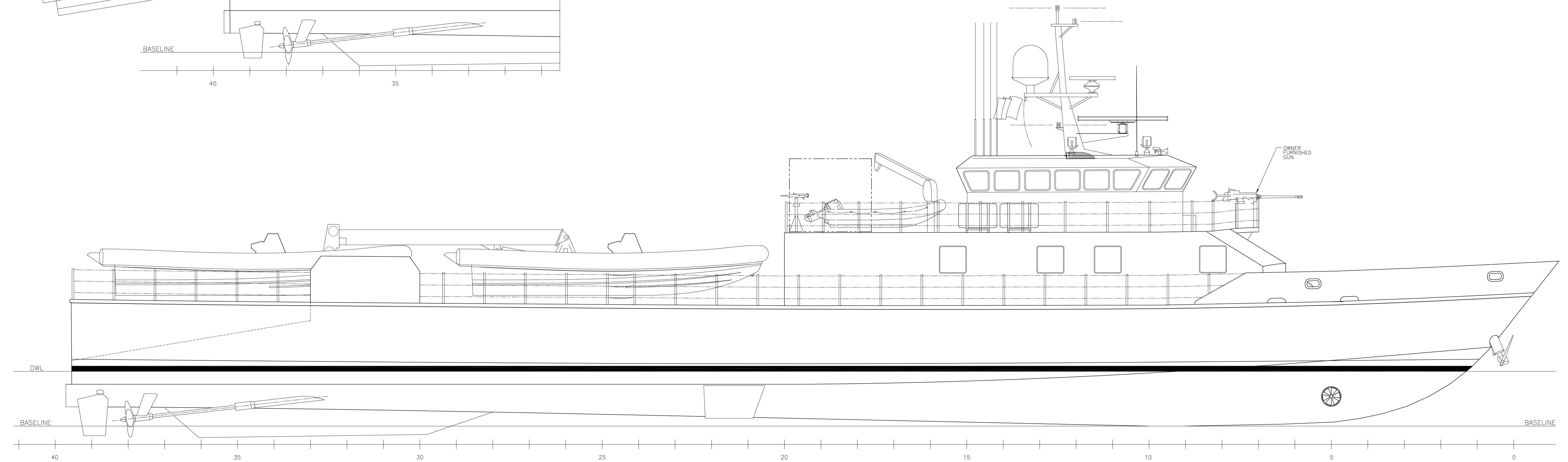
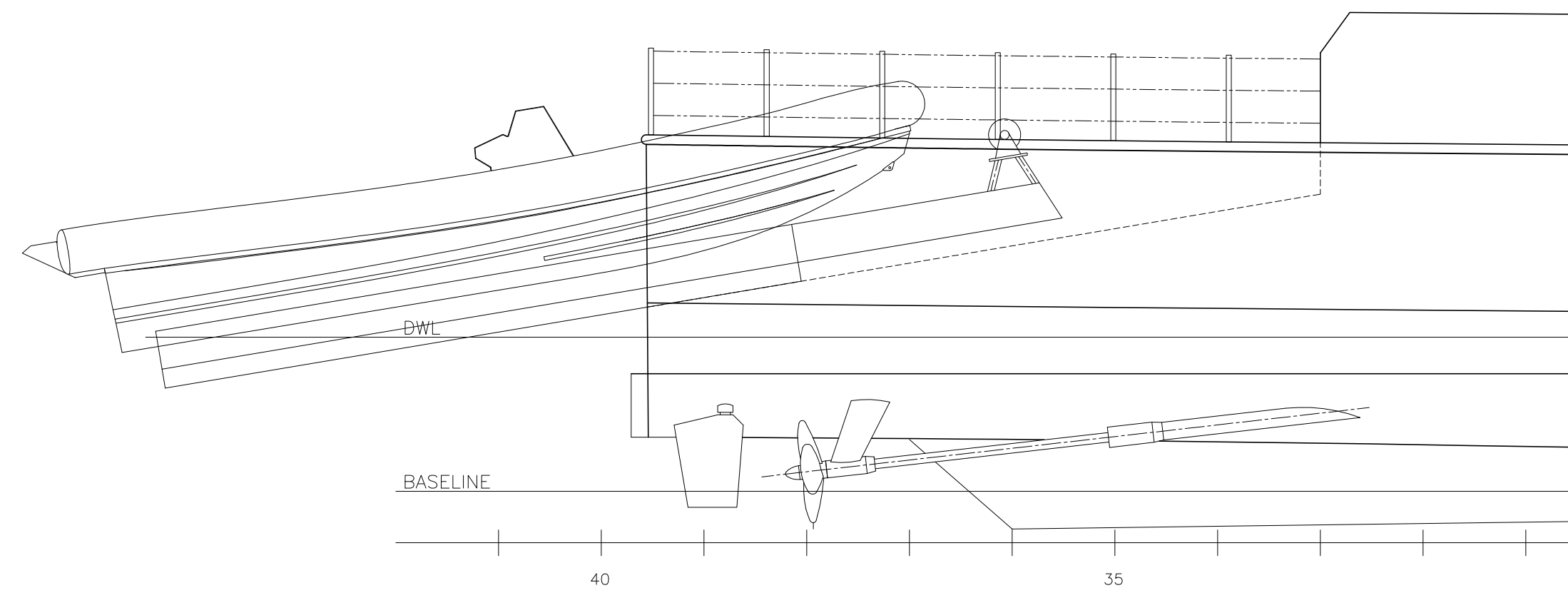
TRINITY  
*OFFSHORE*



REVISIONS					
REV	ZONE	ITEM	DESCRIPTION	DATE	APPVD.

CHARACTERISTICS

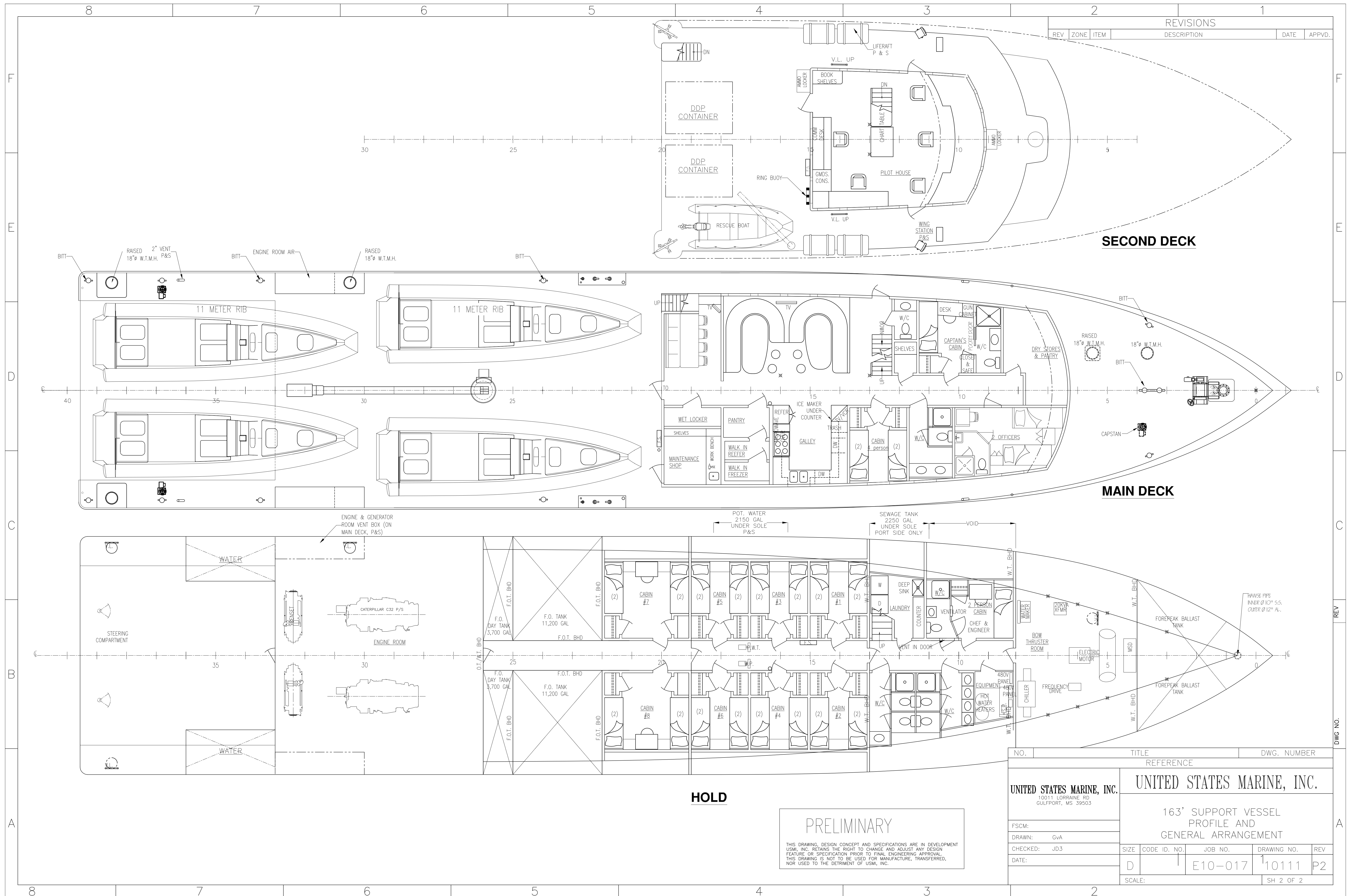
LENGTH O.A.	163'-2"	(49.75 M)
LENGTH WATERLINE	153'	(46.6 M)
BEAM (MLD.)	32'-0"	(9.76 M)
DEPTH @ (MLD.)	13'-3"	(4.0 M)
DRAFT @ D.W.L.	8'-9"	(2.67 M)
FUEL OIL CAPACITY	30,000 GALS.	(112800 L)
FRESH WATER CAPACITY	6,000 GALS.	(22700 L)
COMPLEMENT	(3) SHIP'S OFFICERS, (6) SHIP'S CREW (32) PERSONS IN ADDITION TO SHIP'S CREW	
SPEED (MAXIMUM)	14 KNOTS	
RANGE @ 10 KNOTS	5,000 NM	
ENDURANCE	14 DAYS	
DAVIT	20,000 LBS @ 25 FEET	6,000 LBS @ 35 FEET



**PRELIMINARY**

THIS DRAWING, DESIGN CONCEPT AND SPECIFICATIONS ARE IN DEVELOPMENT  
USMI, INC. RETAINS THE RIGHT TO CHANGE AND ADJUST ANY DESIGN  
FEATURE OR SPECIFICATION PRIOR TO FINAL ENGINEERING APPROVAL.  
THIS DRAWING IS NOT TO BE USED FOR MANUFACTURE, TRANSFERRED,  
NOR USED TO THE DETRIMENT OF USMI, INC.

NO.	TITLE	DWG. NUMBER
	REFERENCE	
	UNITED STATES MARINE, INC. 10311 LORRAINE RD GULFPORT, MS 39503	
	163' SUPPORT VESSEL PROFILE AND GENERAL ARRANGEMENT	
FSCM:		
DRAWN: GvA		
CHECKED: JD3		
DATE: 5/26/10		
	SIZE CODE ID. NO. JOB NO. DRAWING NO. REV	
	D 10111 P2	
	SCALE: 3/16"=1'-0"	SH 1 OF 2



REVISIONS					
REV	ZONE	ITEM	DESCRIPTION	DATE	APPVD.

**SECOND DECK**

**MAIN DECK**

**HOLD**

**PRELIMINARY**  
THIS DRAWING, DESIGN CONCEPT AND SPECIFICATIONS ARE IN DEVELOPMENT USMI, INC. RETAINS THE RIGHT TO CHANGE AND ADJUST ANY DESIGN FEATURE OR SPECIFICATION PRIOR TO FINAL ENGINEERING APPROVAL. THIS DRAWING IS NOT TO BE USED FOR MANUFACTURE, TRANSFERRED, NOR USED TO THE DETRIMENT OF USMI, INC.

NO.	TITLE	DWG. NUMBER
	REFERENCE	
	UNITED STATES MARINE, INC. 10011 LORRAINE RD GULFPORT, MS 39503	
	UNITED STATES MARINE, INC.	
	163' SUPPORT VESSEL PROFILE AND GENERAL ARRANGEMENT	
FSCM:		
DRAWN: GvA		
CHECKED: JD3		
DATE:		
	SIZE CODE ID. NO. JOB NO. DRAWING NO. REV	
	D 1 E10-017 10111 P2	
	SCALE:	SH 2 OF 2